

D8 DZUS® Panex Quarter-Turn Fasteners

Studs - Size 4



Material

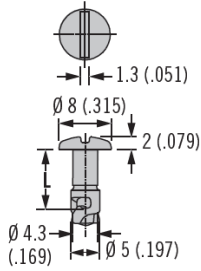
- Studs: Steel, zinc plated plus chromate or chrome plated
- Bail cover: ABS, black

Notes

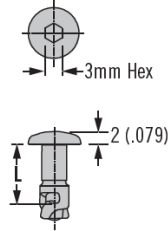
- Bail cover: A retainer (D8-324-100-040) must be fitted under the stud head to fit flush with surface

H Head Styles - Tool Actuated

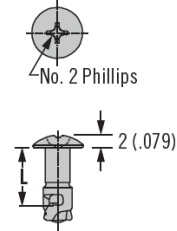
Oval Slot



Hex Recess

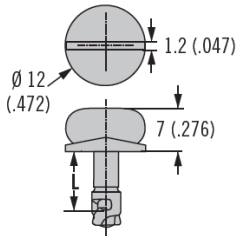


Phillips Recess

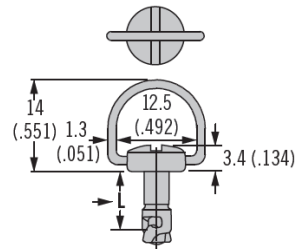


H Head Styles - Hand Actuated

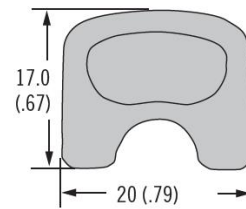
Wing



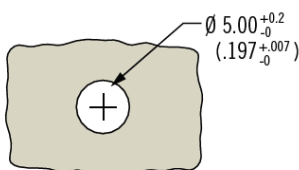
Bail



Optional Bail Cover



Stud Panel Preparation



Bail Cover Part Number

D8-4-B-000



H Head style

- 1 Slot recess
- 2 Hex recess
- 3 Wing
- 4 Bail
- 7 Phillips recess

K Length

Enter number from selection table below

D8 - 314 - **H** **K** - **F**

F Finish

- 170 Chrome plated
- 190 Zinc plated
- 191 Zinc plated, black

Stud Length Table

A		B		C		D		E		K	L ±.15 ±(.006)
Min.	Max.	Min.	Max.	Min.	Max.	Min.	Max.	Min.	Max.		
TMT Range For: D8-334-400-121 D8-334-500-121		TMT Range For: D8-334-300-121 D8-334-310-121		TMT Range For: D8-334-200-190		TMT Range For: D8-334-100-300		TMT Range For: D8-334-110-190			
1.0 (.04)	1.9 (.07)	1.5 (.06)	2.4 (.09)	~	~	~	~	~	~	08	8 (.315)
2.0 (.08)	2.9 (.11)	2.5 (.10)	3.4 (.13)	~	~	~	~	~	~	09	9 (.354)
3.0 (.12)	3.9 (.15)	3.5 (.14)	4.4 (.17)	~	~	0.7 (.03)	1.6 (.06)	1.7 (.07)	2.6 (.10)	10	10 (.394)
4.0 (.16)	4.9 (.19)	4.5 (.18)	5.4 (.21)	~	~	1.7 (.07)	2.6 (.10)	2.7 (.11)	3.6 (.14)	11	11 (.433)
5.0 (.20)	5.9 (.23)	5.5 (.22)	6.4 (.25)	1.5 (.06)	2.4 (.09)	2.7 (.11)	3.6 (.14)	3.7 (.15)	4.6 (.18)	12	12 (.472)
6.0 (.24)	6.9 (.27)	6.5 (.26)	7.4 (.29)	2.5 (.10)	3.4 (.13)	3.7 (.15)	4.6 (.18)	4.7 (.19)	5.6 (.22)	13	13 (.512)
7.0 (.28)	7.9 (.31)	7.5 (.30)	8.4 (.33)	3.5 (.14)	4.4 (.17)	4.7 (.19)	5.6 (.22)	5.7 (.22)	6.6 (.26)	14	14 (.551)
8.0 (.31)	8.9 (.35)	8.5 (.33)	9.4 (.37)	4.5 (.18)	5.4 (.21)	5.7 (.22)	6.6 (.26)	6.7 (.26)	7.6 (.30)	15	15 (.591)
9.0 (.35)	9.9 (.39)	9.5 (.37)	10.4 (.41)	5.5 (.22)	6.4 (.25)	6.7 (.26)	7.6 (.30)	7.7 (.30)	8.6 (.34)	16	16 (.630)
10.0 (.39)	10.9 (.43)	10.5 (.41)	11.4 (.45)	6.5 (.26)	7.4 (.29)	7.7 (.30)	8.6 (.34)	8.7 (.34)	9.6 (.38)	17	17 (.669)
11.0 (.43)	11.9 (.47)	11.5 (.45)	12.4 (.49)	7.5 (.30)	8.4 (.33)	8.7 (.34)	9.6 (.38)	9.7 (.38)	10.6 (.42)	18	18 (.709)
12.0 (.47)	12.9 (.51)	12.5 (.49)	13.4 (.53)	8.5 (.33)	9.4 (.37)	9.7 (.38)	10.6 (.42)	10.7 (.42)	11.6 (.46)	19	19 (.748)
13.0 (.51)	13.9 (.55)	13.5 (.53)	14.4 (.57)	9.5 (.37)	10.4 (.41)	10.7 (.42)	11.6 (.46)	11.7 (.46)	12.6 (.50)	20	20 (.787)
14.0 (.55)	14.9 (.59)	14.5 (.57)	15.4 (.61)	10.5 (.41)	11.4 (.45)	11.7 (.46)	12.6 (.50)	12.7 (.50)	13.6 (.54)	21	21 (.827)
15.0 (.59)	15.9 (.63)	15.5 (.61)	16.4 (.65)	11.5 (.45)	12.4 (.49)	12.7 (.50)	13.6 (.54)	13.7 (.54)	14.6 (.57)	22	22 (.866)
16.0 (.63)	16.9 (.67)	16.5 (.65)	17.4 (.69)	12.5 (.49)	13.4 (.53)	13.7 (.54)	14.6 (.57)	14.7 (.58)	15.6 (.61)	23	23 (.906)
17.0 (.67)	17.9 (.70)	17.5 (.69)	18.4 (.72)	13.5 (.53)	14.4 (.57)	14.7 (.58)	15.6 (.61)	15.7 (.62)	16.6 (.65)	24	24 (.945)
18.0 (.71)	18.9 (.74)	18.5 (.73)	19.4 (.76)	14.5 (.57)	15.4 (.61)	15.7 (.62)	16.6 (.65)	16.7 (.66)	17.6 (.69)	25	25 (.984)
19.0 (.75)	19.9 (.78)	19.5 (.77)	20.4 (.80)	15.5 (.61)	16.4 (.65)	16.7 (.66)	17.6 (.69)	17.7 (.70)	18.6 (.73)	26	26 (1.02)
20.0 (.79)	20.9 (.82)	20.5 (.81)	21.4 (.84)	16.5 (.65)	17.4 (.69)	17.7 (.70)	18.6 (.73)	18.7 (.74)	19.6 (.77)	27	27 (1.06)
21.0 (.83)	21.9 (.86)	21.5 (.85)	22.4 (.88)	17.5 (.69)	18.4 (.72)	18.7 (.74)	19.6 (.77)	19.7 (.78)	20.6 (.81)	28	28 (1.10)
22.0 (.87)	22.9 (.90)	22.5 (.89)	23.4 (.92)	18.5 (.73)	19.4 (.76)	19.7 (.78)	20.6 (.81)	20.7 (.81)	21.6 (.85)	29	29 (1.14)
23.0 (.91)	23.9 (.94)	23.5 (.93)	24.4 (.96)	19.5 (.77)	20.4 (.80)	20.7 (.81)	21.6 (.85)	21.7 (.85)	22.6 (.89)	30	30 (1.18)

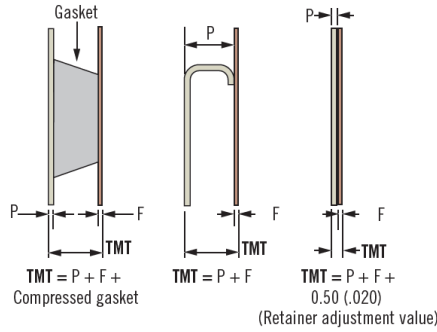
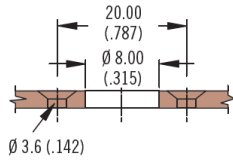
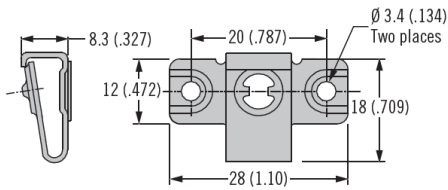
To select correct fastener:

1. **Select receptacle**
 - Choose a receptacle from D8 DZUS® Panex Quarter-Turn Fasteners range
2. **Select retainer and accessories**
 - Choose from D8 DZUS® Panex Quarter-Turn Fasteners range and note any adjustment value
3. **Specify stud length**
 - Calculate the total material thickness (TMT) using the formula given for the selected receptacle
 - Find the range of TMT using the stud length selection table (left) using the column (A, B, C, D or E) given for the selected receptacle, find **K**
- 4. **Complete the stud part number**
 - By specifying the head style **H**, stud length **K**, and material **M**
 - Example:
 - For rivet-on with base receptacle D8-334-400-121, use column A
 - For TMT value calculated as 5.2, K = 12
 - For slotted head style in steel, zinc plated material, completed part number: D8-314-112-190

D8 DZUS® Panex Quarter-Turn Fasteners

Receptacles - Size 4

Rivet-On



Part Number	Stud Selection Column
D8-334-400-121	A



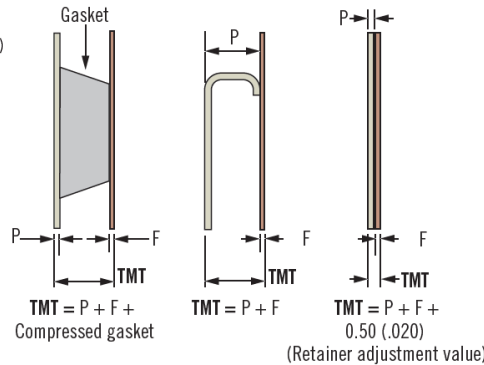
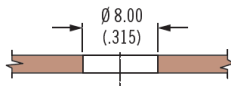
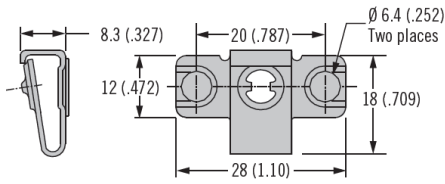
Material

- Steel, zinc immersion coating

Notes

- Install with Ø3 rivets
- Utilize stud selection column indicated when choosing a stud length from the D8 DZUS® Panex Quarter-Turn Fasteners stud length table. Contact Gripwell for stud length table.

Weld-On



Part Number	Stud Selection Column
D8-334-500-121	A

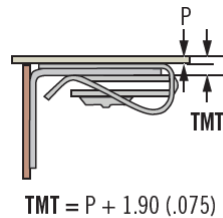
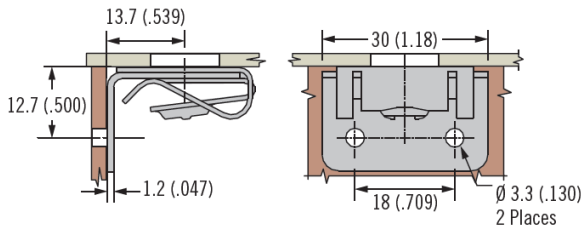
Material

- Steel, zinc immersion coating

Notes

- Utilize stud selection column indicated when choosing a stud length from the D8 DZUS® Panex Quarter-Turn Fasteners stud length table. Contact Gripwell for stud length table.

Side Mount



Part Number	Stud Selection Column
D8-334-310-121	B

Material

- Steel, zinc immersion coating

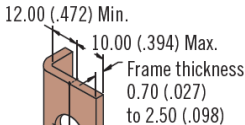
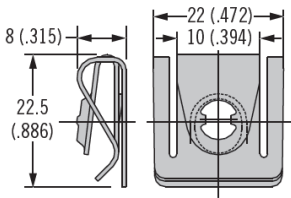
Notes

- Utilize stud selection column indicated when choosing a stud length from the D8 DZUS® Panex Quarter-Turn Fasteners stud length table. Contact Gripwell for stud length table.

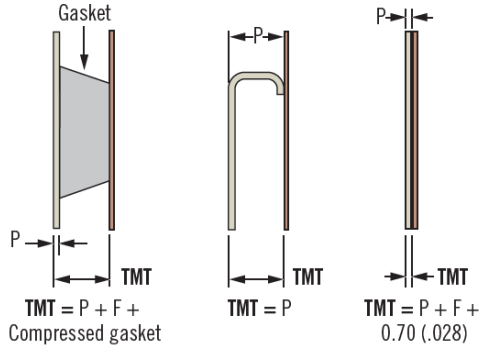
D8 DZUS® Panex Quarter-Turn Fasteners

Receptacles - Size 4

Clip-On



Ø 8.00 (.315) + 0.2 (.008) Min.



Part Number	Stud Selection Column
D8-334-300-121	B



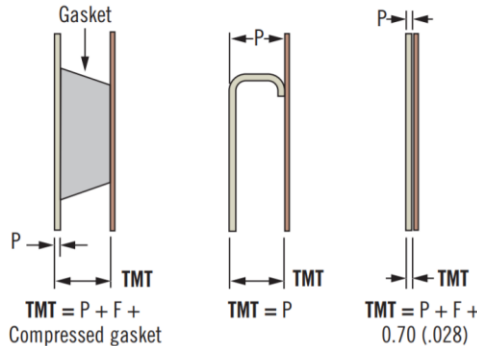
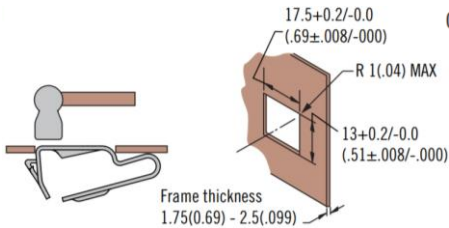
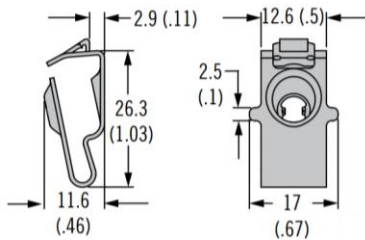
Material

- Steel, zinc immersion coating

Notes

- Utilize stud selection column indicated when choosing a stud length from the D8 DZUS® Panex Quarter-Turn Fasteners stud length table. Contact Gripwell for stud length table.

Front Mount Clip-In



Part Number	Stud Selection Column
D8-334-700-121	B

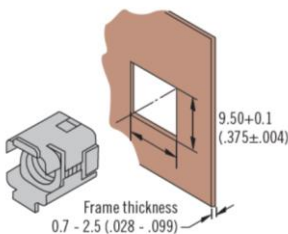
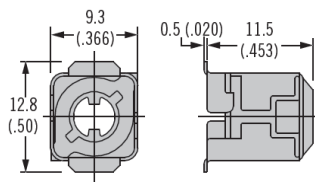
Material

- Steel, zinc immersion coating

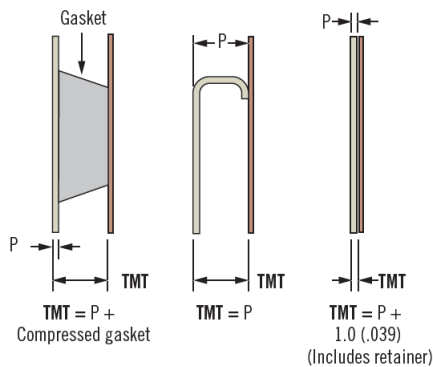
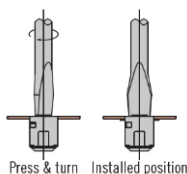
Notes

- Utilize stud selection column indicated when choosing a stud length from the D8 DZUS® Panex Quarter-Turn Fasteners stud length table. Contact Gripwell for stud length table.

Front Mount Snap-In



Installation



Part Number	Stud Selection Column
D8-334-200-190	C

Material

- Steel, zinc plated and stainless steel

Notes

- Utilize stud selection column indicated when choosing a stud length from the D8 DZUS® Panex Quarter-Turn Fasteners stud length table. Contact Gripwell for stud length table.

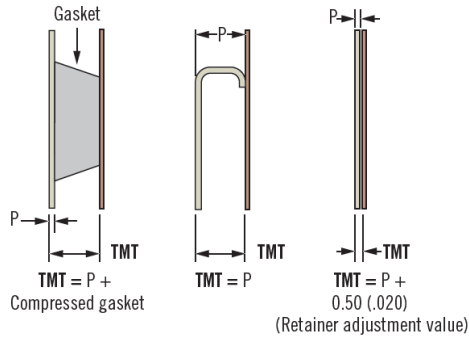
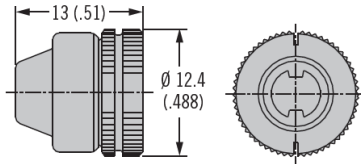


We are proud to be Southco's authorized distributor of over 20 years

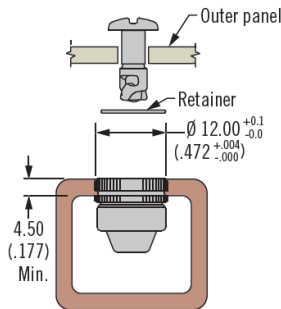
D8 DZUS® Panex Quarter-Turn Fasteners

Receptacles - Size 4

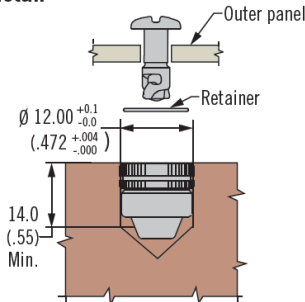
Press-In - Front Mount



Solid Install



Blind Install



Part Number	Stud Selection Column
D8-334-100-300	D



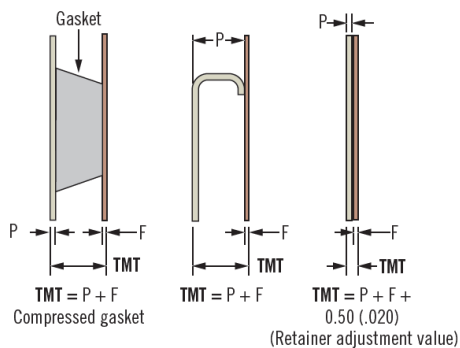
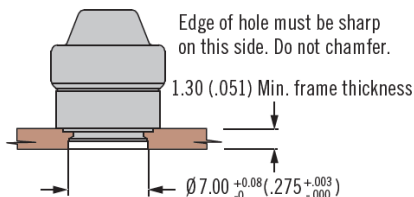
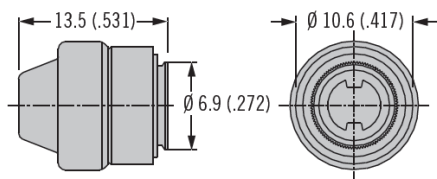
Material

- Brass and steel, zinc plated

Notes

- Press receptacle flush to the frame
- Receptacle shown installed flush to the frame. To eliminate the gap between the frame and outer panel, install to a depth \geq the thickness of the selected retainer. This depth should be added to the TMT
- Utilize stud selection column indicated when choosing a stud length from the D8 DZUS® Panex Quarter-Turn Fasteners stud length table. Contact Gripwell for stud length table.

Press-In - Self-Clinching



Part Number	Stud Selection Column
D8-334-110-190	E

Material

- Steel, zinc plated

Notes

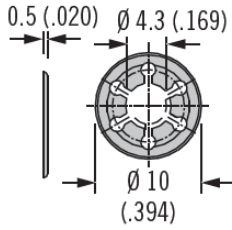
- For use in low carbon steels, aluminum and stainless steels in the annealed condition that are Rb85 or softer
- Utilize stud selection column indicated when choosing a stud length from the D8 DZUS® Panex Quarter-Turn Fasteners stud length table. Contact Gripwell for stud length table.

D8 DZUS® Panex Quarter-Turn Fasteners

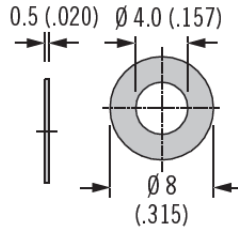
Retainers · Accessories · Size 4



Retainer Push-On

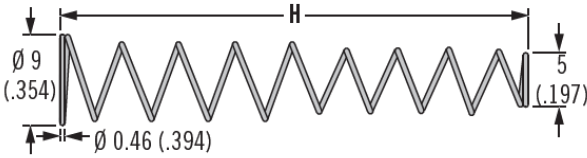


Retainer Push-On Plastic

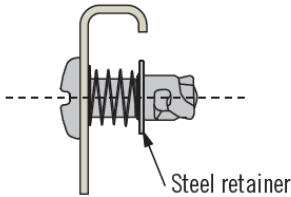


Type	Part Number	Material	Adjustment Value
Push-on plastic	D8-324-100-040	High density polyethylene, black	Included in TMT calculation
Push-on	D8-324-101-200	Stainless steel	

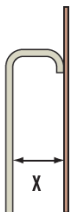
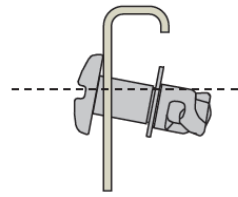
Retainer Spring (Must be secured with steel retainer)



With Retaining Spring



Without Retaining Spring



Part Number	H	X Min.	X Max.
D8-324-200-200	48 (1.89)	14 (.551)	44 (1.73)
D8-324-201-200	20 (.787)	5 (.197)	16 (.630)

D8 DZUS® Panex Quarter-Turn Fasteners

Studs - Size 6

Material

- Studs: Steel, zinc plated and chromate or chrome plated or stainless steel
- Key: Steel with zinc plate and chromate
- Bail cover: ABS, black

Notes

- Bail cover: A retainer (D8-326-100-040) must be fitted under the stud head to fit flush with surface

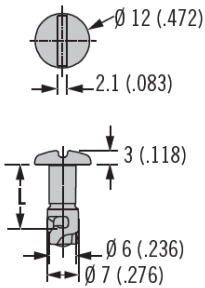
Accessories

- Tamper resistant stud key: D8-316-007-969

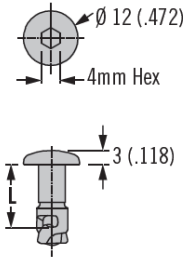


H Head Styles - Tool Actuated

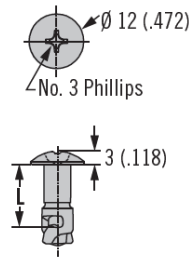
Oval Slot



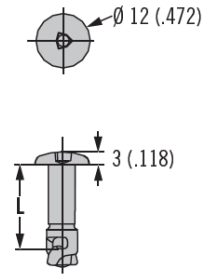
Hex Recess



Phillips Recess

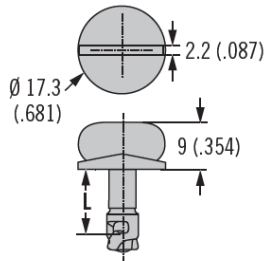


Tamper Resistant

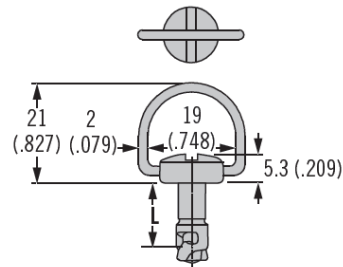


H Head Styles - Hand Actuated

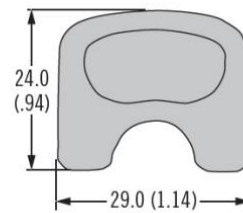
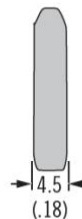
Wing



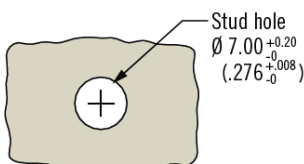
Bail



Optional Bail Cover



Stud Panel Preparation



Bail Cover Part Number

D8-6-B-000



H Head style

- 1 Slot recess
- 2 Hex recess
- 3 Wing
- 4 Bail (standard stud only)
- 6 Tamper resistant
- 7 Phillips recess

F Finish

- 170 Chrome plated
- 190 Zinc plated
- 191 Zinc plated, black
- 200 Stainless Steel (Slot recess, Hex recess, Phillips recess)

D8 - 316 - H K - F

K Length

Enter number from selection table below

Stud Length Table

A		B		C		D		E		K	L ±.15 ±(.006)
Min.	Max.	Min.	Max.	Min.	Max.	Min.	Max.	Min.	Max.		
TMT Range For: D8-336-400-121 D8-336-500-121		TMT Range For: D8-336-300-121 D8-336-310-121 D8-336-330-121		TMT Range For: D8-336-200-190		TMT Range For: D8-336-100-300		TMT Range For: D8-336-110-190			
~	~	1.5 (.06)	2.4 (.09)	~	~	~	~	~	~	09	9 (.354)
2.5 (.10)	3.4 (.13)	2.5 (.10)	3.4 (.13)	~	~	~	~	~	~	10	10 (.394)
3.5 (.14)	4.4 (.17)	3.5 (.14)	4.4 (.17)	~	~	~	~	~	~	11	11 (.433)
4.5 (.18)	5.4 (.21)	4.5 (.18)	5.4 (.21)	~	~	0.7 (.03)	1.6 (.06)	1.7 (.07)	2.6 (.10)	12	12 (.472)
5.5 (.22)	6.4 (.25)	5.5 (.22)	6.4 (.25)	~	~	1.7 (.07)	2.6 (.10)	2.7 (.11)	3.6 (.14)	13	13 (.512)
6.5 (.26)	7.4 (.29)	6.5 (.26)	7.4 (.29)	~	~	2.7 (.11)	3.6 (.14)	3.7 (.15)	4.6 (.18)	14	14 (.551)
7.5 (.30)	8.4 (.33)	7.5 (.30)	8.4 (.33)	~	~	3.7 (.15)	4.6 (.18)	4.7 (.19)	5.6 (.22)	15	15 (.591)
8.5 (.33)	9.4 (.37)	8.5 (.33)	9.4 (.37)	0.8 (.03)	1.7 (.07)	4.7 (.19)	5.6 (.22)	5.7 (.22)	6.6 (.26)	16	16 (.630)
9.5 (.37)	10.4 (.41)	9.5 (.37)	10.4 (.41)	1.8 (.07)	2.7 (.11)	5.7 (.22)	6.6 (.26)	6.7 (.26)	7.6 (.30)	17	17 (.669)
10.5 (.41)	11.4 (.45)	10.5 (.41)	11.4 (.45)	2.8 (.11)	3.7 (.15)	6.7 (.26)	7.6 (.30)	7.7 (.30)	8.6 (.34)	18	18 (.709)
11.5 (.45)	12.4 (.49)	11.5 (.45)	12.4 (.49)	3.8 (.15)	4.7 (.19)	7.7 (.30)	8.6 (.34)	8.7 (.34)	9.6 (.38)	19	19 (.748)
12.5 (.49)	13.4 (.53)	12.5 (.49)	13.4 (.53)	4.8 (.19)	5.7 (.22)	8.7 (.34)	9.6 (.38)	9.7 (.38)	10.6 (.42)	20	20 (.787)
13.5 (.53)	14.4 (.57)	13.5 (.53)	14.4 (.57)	5.8 (.23)	6.7 (.26)	9.7 (.38)	10.6 (.42)	10.7 (.42)	11.6 (.46)	21	21 (.827)
14.5 (.57)	15.4 (.61)	14.5 (.57)	15.4 (.61)	6.8 (.27)	7.7 (.30)	10.7 (.42)	11.6 (.46)	11.7 (.46)	12.6 (.50)	22	22 (.866)
15.5 (.61)	16.4 (.65)	15.5 (.61)	16.4 (.65)	7.8 (.31)	8.7 (.34)	11.7 (.46)	12.6 (.50)	12.7 (.50)	13.6 (.54)	23	23 (.906)
16.5 (.65)	17.4 (.69)	16.5 (.65)	17.4 (.69)	8.8 (.35)	9.7 (.38)	12.7 (.50)	13.6 (.54)	13.7 (.54)	14.6 (.57)	24	24 (.945)
17.5 (.69)	18.4 (.72)	17.5 (.69)	18.4 (.72)	9.8 (.39)	10.7 (.42)	13.7 (.54)	14.6 (.57)	14.7 (.58)	15.6 (.61)	25	25 (.984)
18.5 (.73)	19.4 (.76)	18.5 (.73)	19.4 (.76)	10.8 (.43)	11.7 (.46)	14.7 (.58)	15.6 (.61)	15.7 (.62)	16.6 (.65)	26	26 (1.02)
19.5 (.77)	20.4 (.80)	19.5 (.77)	20.4 (.80)	11.8 (.46)	12.7 (.50)	15.7 (.62)	16.6 (.65)	16.7 (.66)	17.6 (.69)	27	27 (1.06)
20.5 (.81)	21.4 (.84)	20.5 (.81)	21.4 (.84)	12.8 (.50)	13.7 (.54)	16.7 (.66)	17.6 (.69)	17.7 (.70)	18.6 (.73)	28	28 (1.10)
21.5 (.85)	22.4 (.88)	21.5 (.85)	22.4 (.88)	13.8 (.54)	14.7 (.58)	17.7 (.70)	18.6 (.73)	18.7 (.74)	19.6 (.77)	29	29 (1.14)
22.5 (.89)	23.4 (.92)	22.5 (.89)	23.4 (.92)	14.8 (.58)	15.7 (.62)	18.7 (.74)	19.6 (.77)	19.7 (.78)	20.6 (.81)	30	30 (1.18)

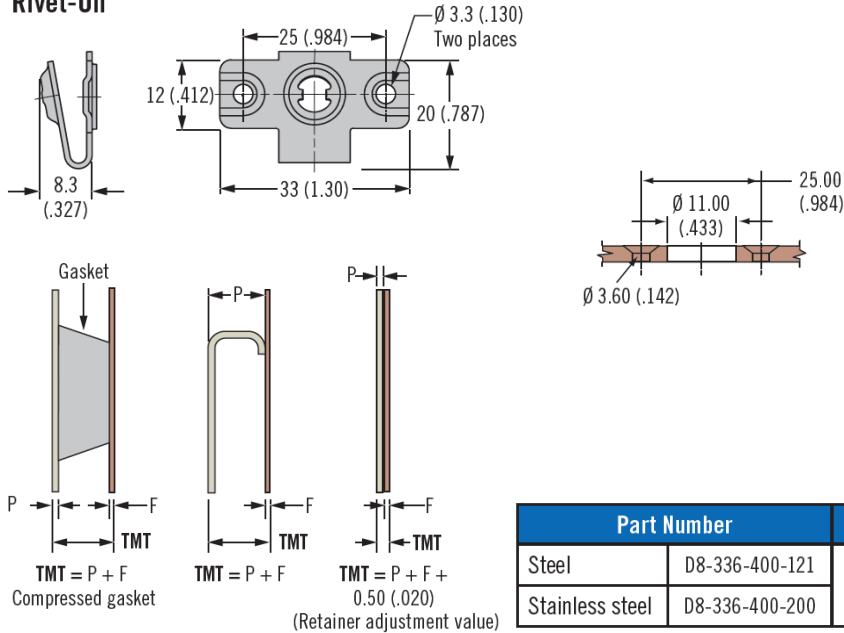
To select correct fastener:

1. **Select receptacle**
 - Choose a receptacle from D8 DZUS® Panex Quarter-Turn Fasteners range
2. **Select retainer and accessories**
 - Choose from D8 DZUS® Panex Quarter-Turn Fasteners range and note any adjustment value
3. **Specify stud length**
 - Calculate the total material thickness (TMT) using the formula given for the selected receptacle
 - Find the range of TMT using the stud length selection table (left) using the column (A, B, C, D or E) given for the selected receptacle, find **K**
- 4. **Complete the stud part number**
 - By specifying the head style **H**, stud length **K**, and material **M**
 - Example:
 - For rivet-on with base receptacle D8-336-400-121, use column A
 - For TMT value calculated as 5.2, K = 12
 - For slotted head style in steel material, completed part number: D8-316-112-190

D8 DZUS® Panex Quarter-Turn Fasteners

Receptacles - Size 6

Rivet-On



Material

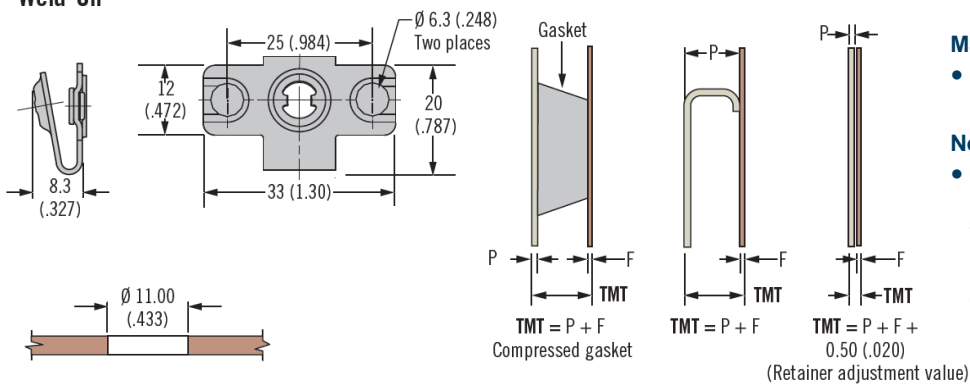
- Steel, zinc immersion coating or stainless steel

Notes

- Install with $\varnothing 3$ rivets
- Utilize stud selection column indicated when choosing a stud length from the D8 DZUS® Panex Quarter-Turn Fasteners stud length table. Contact Gripwell for stud length table.

Part Number		Stud Selection Column
Steel	D8-336-400-121	A
Stainless steel	D8-336-400-200	

Weld-On



Material

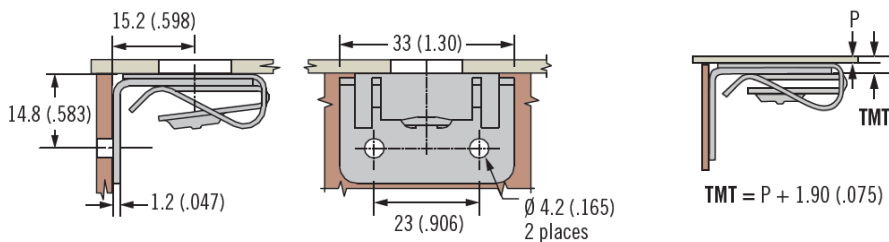
- Steel, zinc immersion coating

Notes

- Utilize stud selection column indicated when choosing a stud length from the D8 DZUS® Panex Quarter-Turn Fasteners stud length table. Contact Gripwell for stud length table.

Part Number		Stud Selection Column
D8-336-500-121		A

Side Mount



Material

- Steel, zinc immersion coating

Notes

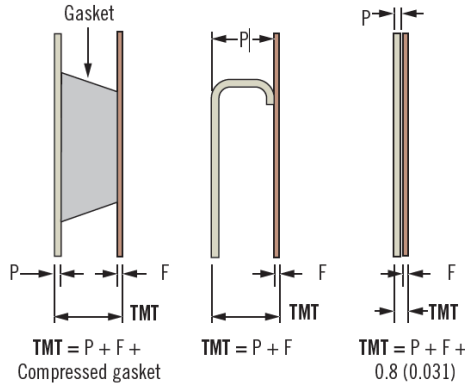
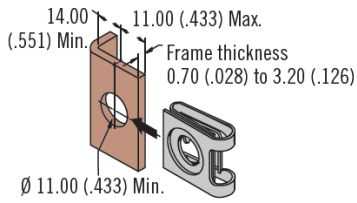
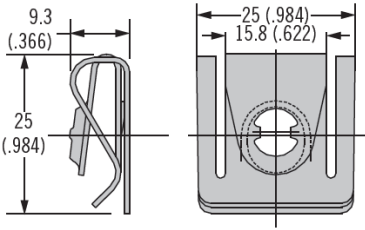
- Utilize stud selection column indicated when choosing a stud length from the D8 DZUS® Panex Quarter-Turn Fasteners stud length table. Contact Gripwell for stud length table.

Part Number		Stud Selection Column
D8-336-310-121		B

D8 DZUS® Panex Quarter-Turn Fasteners

Receptacles - Size 6

Clip-On



Part Number	Stud Selection Column
D8-336-300-121	B



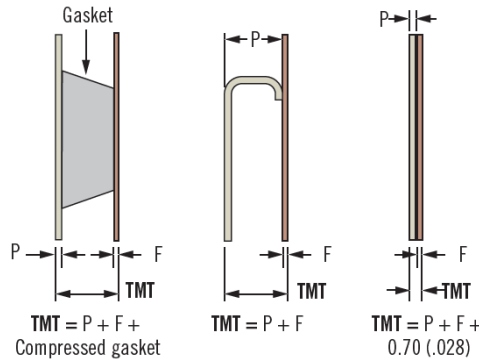
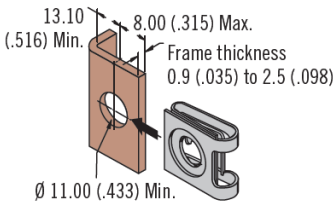
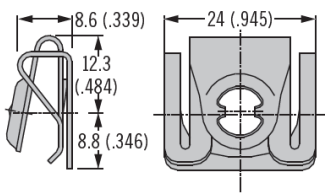
Material

- Steel, zinc immersion coating

Notes

- Utilize stud selection column indicated when choosing a stud length from the D8 DZUS® Panex Quarter-Turn Fasteners stud length table. Contact Gripwell for stud length table.

Clip-On - Mini



Part Number	Stud Selection Column
Steel D8-336-330-121	B
Stainless steel D8-336-330-200	

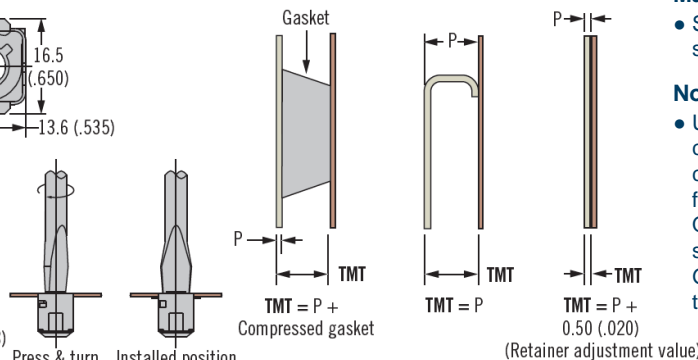
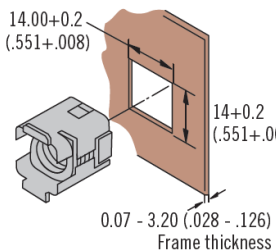
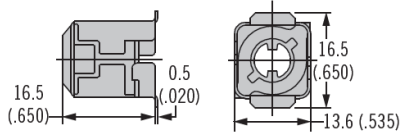
Material

- Steel, zinc immersion coating or stainless steel

Notes

- Utilize stud selection column indicated when choosing a stud length from the D8 DZUS® Panex Quarter-Turn Fasteners stud length table. Contact Gripwell for stud length table.

Front Mount



Part Number	Stud Selection Column
D8-336-200-190	C

Material

- Steel, zinc plated and stainless steel

Notes

- Utilize stud selection column indicated when choosing a stud length from the D8 DZUS® Panex Quarter-Turn Fasteners stud length table. Contact Gripwell for stud length table.

southco®

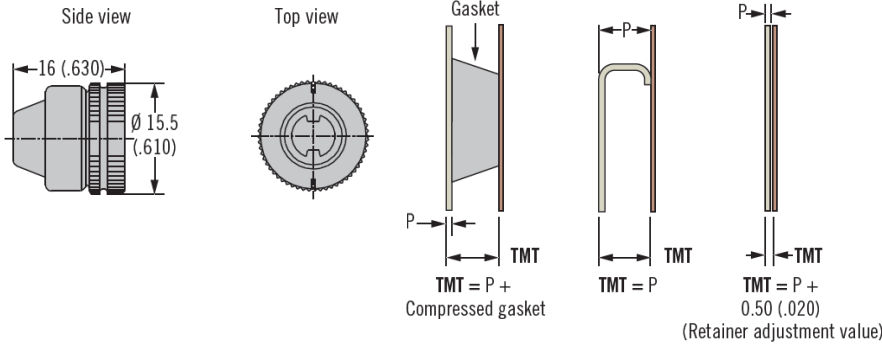
We are proud to be Southco's authorized distributor of over 20 years

D8 DZUS® Panex Quarter-Turn Fasteners

Receptacles - Size 6



Press-In - Front Mount



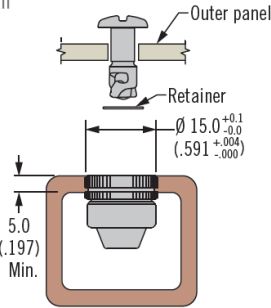
Material

- Brass and steel, zinc plated

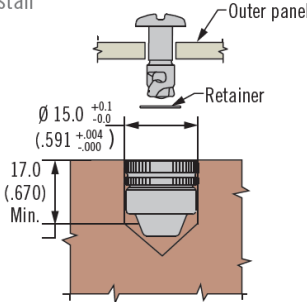
Notes

- Press receptacle flush to frame
- Receptacle shown installed flush to the frame. To eliminate the gap between the frame and outer panel, install to a depth \geq the thickness of the selected retainer. This depth should be added to the TMT
- Utilize stud selection column indicated when choosing a stud length from the D8 DZUS® Panex Quarter-Turn Fasteners stud length table. Contact Gripwell for stud length table.

Solid Install

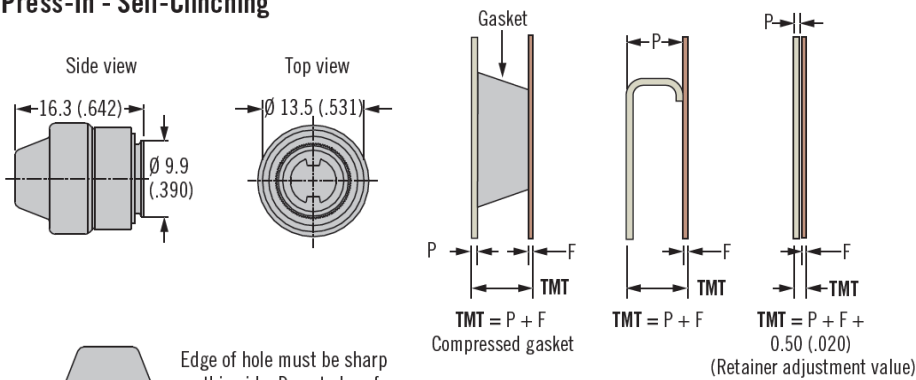


Blind Install



Part Number	Stud Selection Column
D8-336-100-300	D

Press-In - Self-Clinching

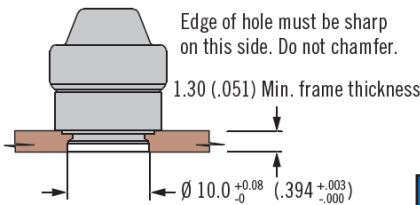


Material

- Steel, zinc plated

Notes

- Utilize stud selection column indicated when choosing a stud length from the D8 DZUS® Panex Quarter-Turn Fasteners stud length table. Contact Gripwell for stud length table.



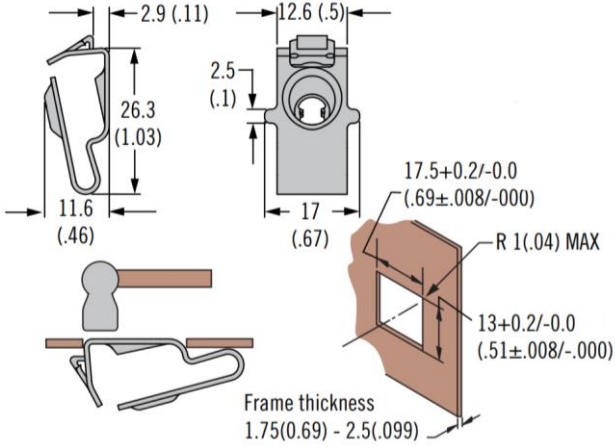
Part Number	Stud Selection Column
D8-336-110-190	E

D8 DZUS® Panex Quarter-Turn Fasteners

Receptacles - Size 6



Front Mount Clip-In



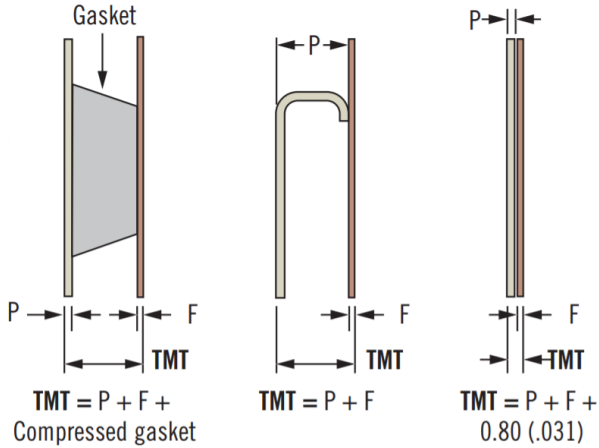
Material

- Steel, zinc immersion coating or stainless steel

Notes

- Utilize stud selection column indicated when choosing a stud length from the D8 DZUS® Panex Quarter-Turn Fasteners stud length table. Contact Gripwell for stud length table.

Part Number	Stud Selection Column
D8-336-700-121	B



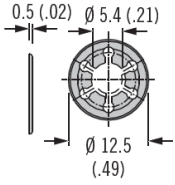
D8 DZUS® Panex Quarter-Turn Fasteners

Retainers · Accessories · Size 6

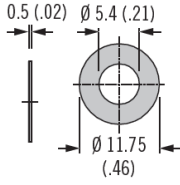


QUARTER-TURN FASTENERS

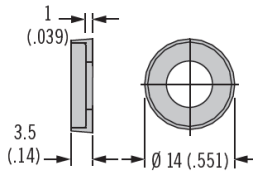
Retainer Push-On, Stainless Steel



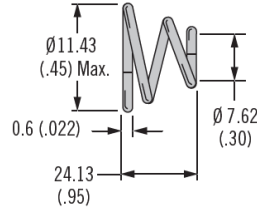
Retainer Push-On, Plastic



Cupped Washer



Ejector Spring

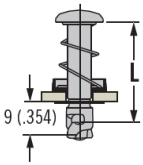


Notes

- When using the ejecting version add 2 to your TMT
- Cupped washer only available for tool recess head styles (slot, Phillips, hex, tamper resistant)
- Assembly consists of spring, cup and stud ordered separately, shipped bulk

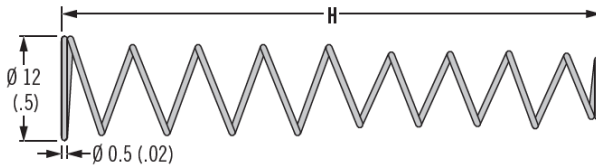
Ejector Spring and Cup Assembly

(Must be secured with stainless steel retainer)

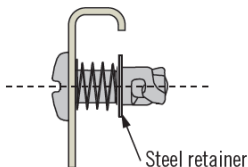


Type	Part Number	Material	Adjustment Value
Push-on plastic	D8-326-100-040	High density polyethylene, black	Included in TMT calculation
Push-on	D8-326-101-200	Stainless steel	
Cupped washer	D8-376-001-049	Thermoplastic, black	Add 1.00 (.039)
Ejector spring	D4-EHF5-3-950QA	Stainless steel	Add 1.00 (.039)

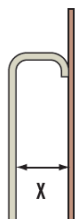
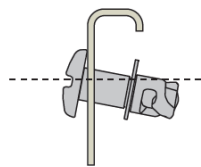
Retainer Spring (Must be secured with steel retainer)



With Retaining Spring



Without Retaining Spring



Part Number	H	X Min.	X Max.
D8-326-200-200	48 (1.89)	19 (.75)	44 (1.73)
D8-326-201-200	25 (.98)	5 (.197)	21 (.83)

southco®

We are proud to be Southco's authorized distributor of over 20 years

D8 DZUS® Panex Quarter-Turn Fasteners

Studs - Size 9

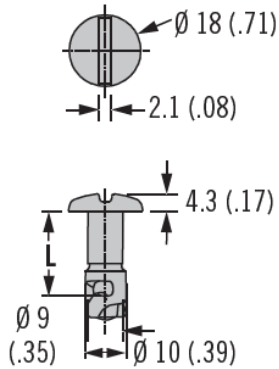


Material

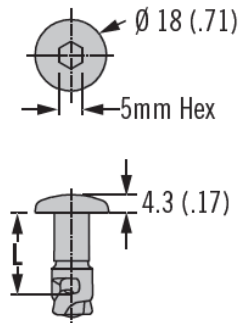
- Studs: Steel, zinc plated and chromate or chrome plated

H Head Styles - Tool Actuated

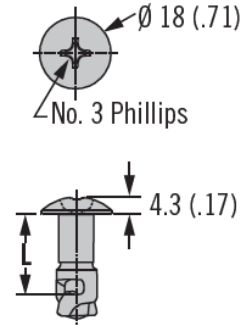
Oval Slot



Hex Recess

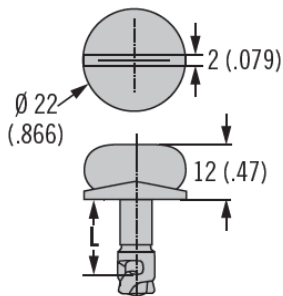


Phillips Recess

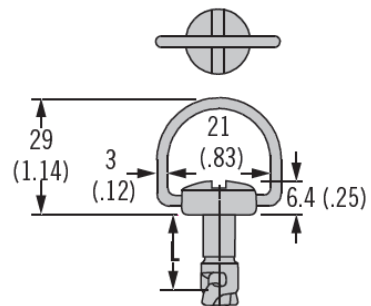


H Head Styles - Hand Actuated

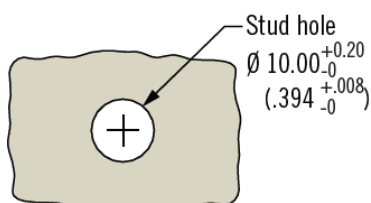
Wing



Bail

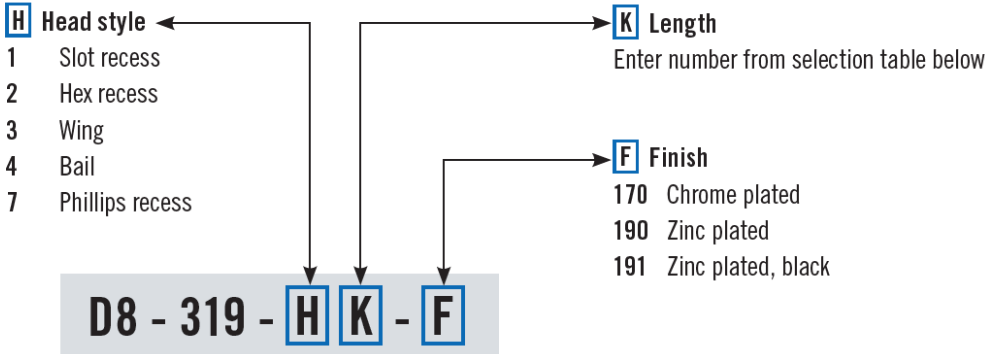


Stud Panel Preparation



D8 DZUS® Panex Quarter-Turn Fasteners

Stud selection · Size 9



Stud Length Table					
A		B		K	L ±.15 (.006)
Min.	Max.	Min.	Max.		
TMT Range For: D8-339-400-121 D8-339-500-121 D8-339-300-121 D8-339-301-121 D8-339-305-121		TMT Range For: D8-339-200-190			
3.0 (.12)	3.9 (.15)	~	~	11	11 (.433)
4.0 (.16)	4.9 (.19)	~	~	12	12 (.472)
5.0 (.20)	5.9 (.23)	~	~	13	13 (.512)
6.0 (.24)	6.9 (.27)	~	~	14	14 (.551)
7.0 (.28)	7.9 (.31)	~	~	15	15 (.591)
8.0 (.31)	8.9 (.35)	~	~	16	16 (.630)
9.0 (.35)	9.9 (.39)	~	~	17	17 (.669)
10.0 (.39)	10.9 (.43)	~	~	18	18 (.709)
11.0 (.43)	11.9 (.47)	~	~	19	19 (.748)
12.0 (.47)	12.9 (.51)	~	~	20	20 (.787)
13.0 (.51)	13.9 (.55)	~	~	21	21 (.827)
14.0 (.55)	14.9 (.59)	2.5 (.10)	3.4 (.13)	22	22 (.866)
15.0 (.59)	15.9 (.63)	3.5 (.14)	4.4 (.17)	23	23 (.906)
16.0 (.63)	16.9 (.67)	4.5 (.18)	5.4 (.21)	24	24 (.945)
17.0 (.67)	17.9 (.70)	5.5 (.22)	6.4 (.25)	25	25 (.984)
18.0 (.71)	18.9 (.74)	6.5 (.26)	7.4 (.29)	26	26 (1.02)
19.0 (.75)	19.9 (.78)	7.5 (.30)	8.4 (.33)	27	27 (1.06)
20.0 (.79)	20.9 (.82)	8.5 (.33)	9.4 (.37)	28	28 (1.10)
21.0 (.83)	21.9 (.86)	9.5 (.37)	10.4 (.41)	29	29 (1.14)
22.0 (.87)	22.9 (.90)	10.5 (.41)	11.4 (.45)	30	30 (1.18)

Notes

- Stainless steel material may require a higher minimum order quantity



We are proud to be Southco's authorized distributor of over 20 years

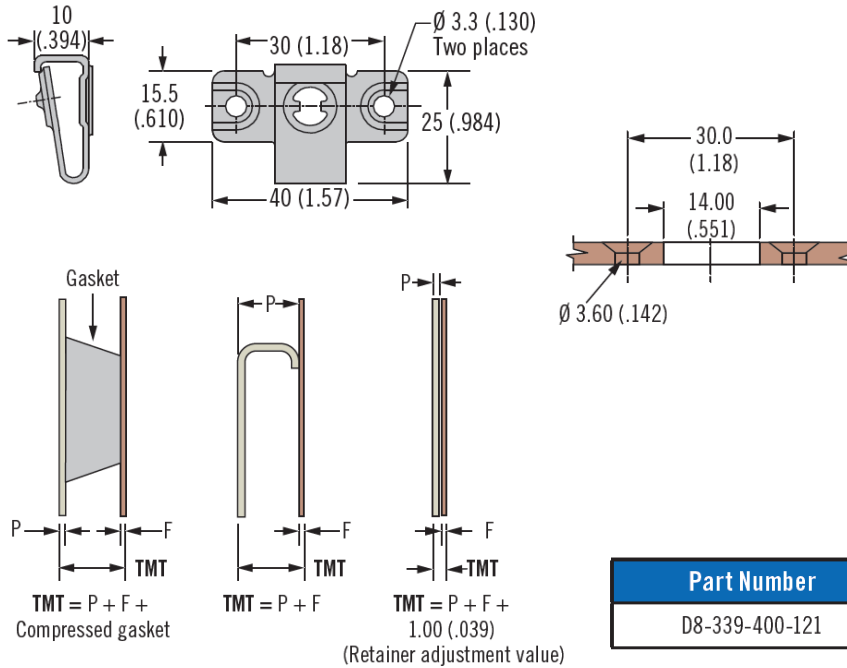
To select correct fastener:

- Select receptacle**
 - Choose a receptacle from D8 DZUS® Panex Quarter-Turn Fasteners range
- Select retainer and accessories**
 - Choose from D8 DZUS® Panex Quarter-Turn Fasteners range and note any adjustment value
- Specify stud length**
 - Calculate the total material thickness (TMT) using the formula given for the selected receptacle
 - Find the range of TMT using the stud length selection table (left) using the column (A or B) given for the selected receptacle, find **K**
- Complete the stud part number**
 - By specifying the head style **H**, stud length **K**, and material **M**
 - Example:
 - For rivet-on with base receptacle D8-339-400-121, use column A
 - For TMT value calculated as 5.2, K = 13
 - For slotted head style in steel, zinc plated material, completed part number: D8-319-113-190

D8 DZUS® Panex Quarter-Turn Fasteners

Receptacles - Size 9

Rivet-On



Material

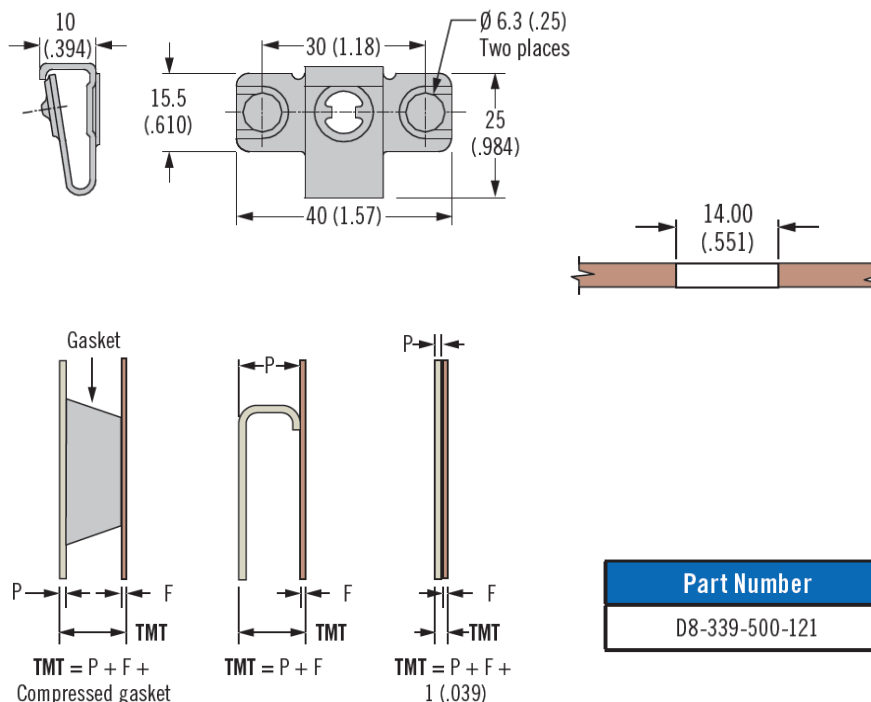
- Steel, zinc immersion coating

Notes

- Install with $\varnothing 3$ rivets
- Utilize stud selection column indicated when choosing a stud length from the D8 DZUS® Panex Quarter-Turn Fasteners stud length table. Contact Gripwell for stud length table.

Part Number	Stud Selection Column
D8-339-400-121	A

Weld-On



Material

- Steel, zinc immersion coating

Notes

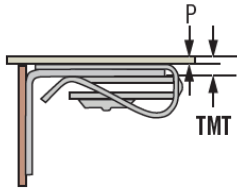
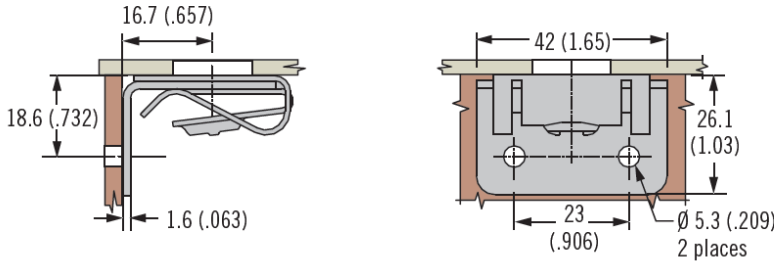
- Utilize stud selection column indicated when choosing a stud length from the D8 DZUS® Panex Quarter-Turn Fasteners stud length table. Contact Gripwell for stud length table.

Part Number	Stud Selection Column
D8-339-500-121	A

D8 DZUS® Panex Quarter-Turn Fasteners

Receptacles - Size 9

Side Mount



Part Number	Stud Selection Column
D8-339-305-121	A



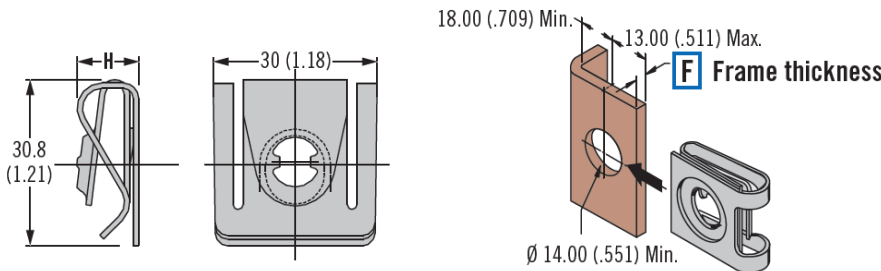
Material

- Steel, zinc immersion coating

Notes

- Utilize stud selection column indicated when choosing a stud length from the D8 DZUS® Panex Quarter-Turn Fasteners stud length table. Contact Gripwell for stud length table.

Clip-On

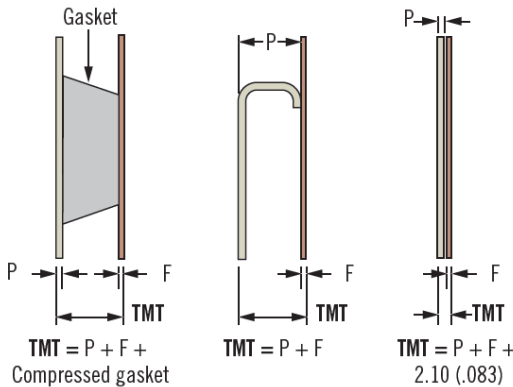


Material

- Steel, zinc immersion coating

Notes

- Utilize stud selection column indicated when choosing a stud length from the D8 DZUS® Panex Quarter-Turn Fasteners stud length table. Contact Gripwell for stud length table.



F Frame Thickness Range	Part Number	H	Stud Selection Column
0.7 - 3.2 (.028 - .126)	D8-339-300-121	10.7 (.421)	A
3.2 - 5.5 (.126 - .217)	D8-339-301-121	11.3 (.445)	

D8 DZUS® Panex Quarter-Turn Fasteners

Receptacles - Size 9



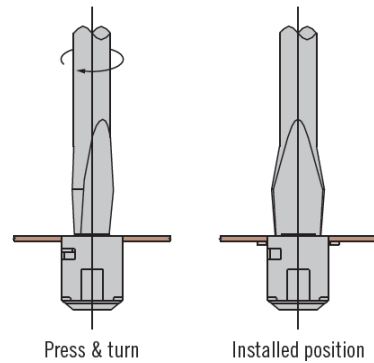
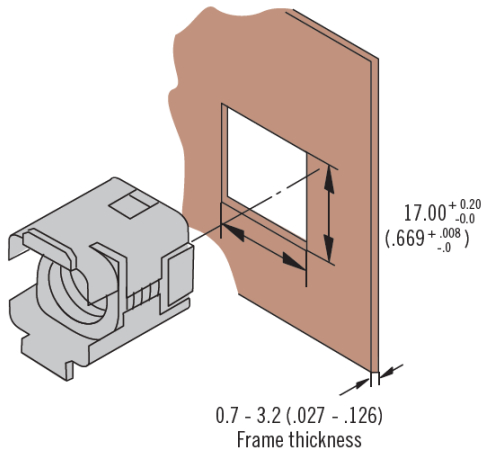
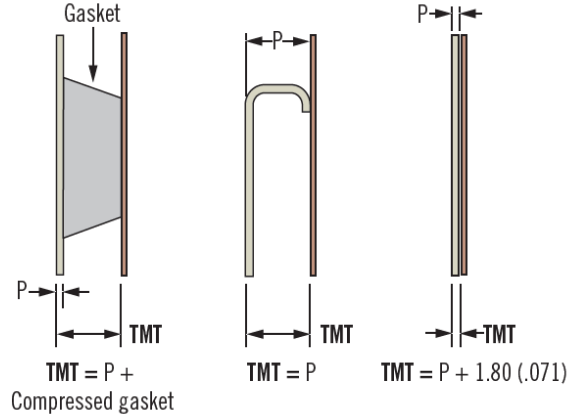
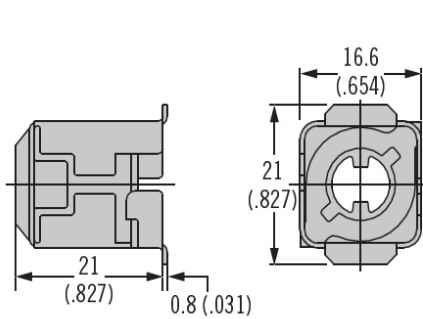
Material

- Steel, zinc plated

Notes

- Utilize stud selection column indicated when choosing a stud length from the D8 DZUS® Panex Quarter-Turn Fasteners stud length table. Contact Gripwell for stud length table.

Front Mount



Type	Part Number	Stud Selection Column
Front mount	D8-339-200-190	B

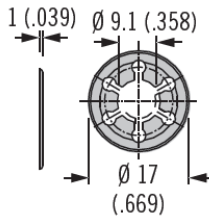
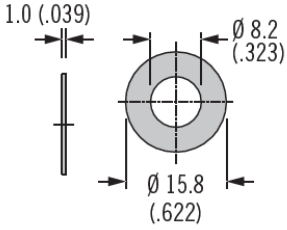
D8 DZUS® Panex Quarter-Turn Fasteners

Retainers · Accessories · Size 9



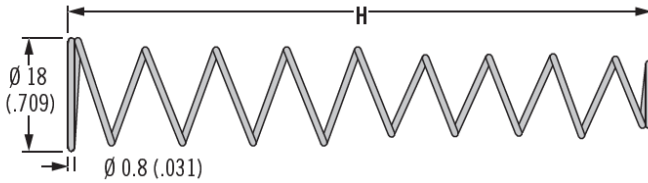
Retainer Push-On, Plastic

Retainer Push-On, Steel



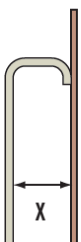
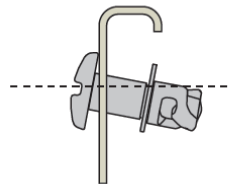
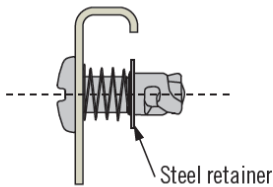
Type	Part Number	Material	Adjustment Value
Push-on Plastic	D8-329-101-040	Nylon 6/6 Black	Included in TMT calculation
Push-on	D8-329-101-200	Stainless steel	

Retainer Spring (Must be secured with steel retainer)



With Retaining Spring

Without Retaining Spring



Part Number	H	X Min.	X Max.
D8-329-200-200	48 (1.89)	7 (.276)	43 (1.69)